

ISO/IEC JTC 1/SC 17
Cards and personal identification
Secretariat: BSI (United Kingdom)

Document type: Text for DAM ballot

Title: Notification of ballot: ISO/IEC 14443-4:2008/DAM3 — Identification cards — Contactless integrated circuit cards — Proximity cards — Part 4: Transmission protocol — AMENDMENT 3: Bit rates of 3fc/4, fc, 3fc/2, 2fc

Status:

BACKWARD POINTER: N 4256, N 4308, N 4568 and N 4569

STATUS: Has been posted to the ISO servers for DAM ballot. Ballot start to be confirmed by ITTF.

WORK ITEM: 58025

Date of document: 2012-06-14

Expected action: INFO

No. of pages: 13

Email of secretary: chris.starr@ukpayments.org.uk

Committee URL: <http://isotc.iso.org/livelink/livelink/open/jtc1sc17>



**EXPLANATORY REPORT
RAPPORT EXPLICATIF**

ISO/IEC 14443-4:

ISO/IEC JTC 1/SC 17

Secretariat **BSI**

This form should be sent to the ISO Central Secretariat, together with the English and French versions of the committee draft, by the secretariat of the technical committee or subcommittee

Ce formulaire doit être envoyé au Secrétariat central de l'ISO en même temps que les versions anglaise et française du projet de comité, par le secrétariat du comité technique ou du sous-comité concerné.

The accompanying document is submitted for circulation to member body vote as a DIS, following consensus obtained from the P-members of the committee.

Le document ci-joint est soumis, pour diffusion comme DIS, au vote comité membre, suite au consensus des membres (P) du comité obtenu.

- on
- at the meeting of
à la réunion du
- by postal initiated on
par un vote par correspondance démarré le

see resolution No. 51.11 in document **WG8 N 1887**
voir résolution n° dans le

	Number	Countries
P-members in favour: Membres (P) approuvant le projet:	21	Australia, Austria, Belgium, China, Czech Republic, Denmark, France, Germany, Italy, Kenya, Korea, Republic of, Netherlands, Norway, Poland, Russian Federation, Singapore, Slovenia, South Africa, Switzerland, United Kingdom, United States
P-members voting against: Membres (P) désapprouvant:	1	Japan
P-members abstaining: Membres (P) s'abstenant:	9	Armenia, Canada, Finland, India, Israel, Malaysia, Portugal, Spain, Sweden
P-members who did not vote: Membres (P) n'ayant pas voté:	3	Luxembourg, Romania, Slovakia

Remarks/Remarques

I hereby confirm that this draft meets the requirements of part 2 of the ISO/IEC Directives
Je confirme que ce projet satisfait aux prescriptions de la partie 2 des Directives ISO/CEI

Date

Name and signature of the secretary
Nom et signature du secrétaire

2012-06-14

Starr, Chris Mr.

Result of voting

Ballot Information

Ballot reference	ISO/IEC 14443-4:2008/PDAM 3 - 17n4256
Ballot type	CD
Ballot title	Identification cards -- Contactless integrated circuit cards -- Proximity cards -- Part 4: Transmission protocol -- Amendment 3: Bit rates of 3fc/4 and fc
Opening date	2011-07-15
Closing date	2011-09-17
Note	

Member responses:

Votes cast (31)	Armenia (SARM) Australia (SA) Austria (ASI) Belgium (NBN) Canada (SCC) China (SAC) Czech Republic (UNMZ) Denmark (DS) Finland (SFS) France (AFNOR) Germany (DIN) India (BIS) Israel (SII) Italy (UNI) Japan (JISC) Kenya (KEBS) Korea, Republic of (KATS) Malaysia (DSM) Netherlands (NEN) Norway (SN) Poland (PKN) Portugal (IPQ) Russian Federation (GOST R) Singapore (SPRING SG) Slovenia (SIST) South Africa (SABS) Spain (AENOR) Sweden (SIS) Switzerland (SNV) United Kingdom (BSI) United States (ANSI)
Comments submitted (1)	Ukraine (DSSU)
Votes not cast (3)	Luxembourg (ILNAS) Romania (ASRO) Slovakia (SUTN)

Questions:	
Q.1	"Do you agree with approval of the CD text?"
Q.2	"If you approve the CD text with comments, would you please indicate which type ? (General, Technical or Editorial)"
Q.3	"If you disapprove the draft, would you please indicate if you accept to change your vote to Approval if the reasons and appropriate changes will be accepted?"

Votes by members	Q.1	Q.2	Q.3
Armenia (SARM)	Abstention	Ignore	Ignore
Australia (SA)	Approval as presented	Ignore	Ignore
Austria (ASI)	Approval with comments	Technical	Ignore
Belgium (NBN)	Approval as presented	Ignore	Ignore
Canada (SCC)	Abstention	Ignore	Ignore
China (SAC)	Approval as presented	Ignore	Ignore
Czech Republic (UNMZ)	Approval as presented	Ignore	Ignore
Denmark (DS)	Approval as presented	Ignore	Ignore
Finland (SFS)	Abstention	Ignore	Ignore
France (AFNOR)	Approval with comments	Editorial	Yes
Germany (DIN)	Approval as presented	Ignore	Ignore
India (BIS)	Abstention	Ignore	Ignore
Israel (SII)	Abstention	Ignore	Ignore
Italy (UNI)	Approval as presented	Ignore	Ignore
Japan (JISC)	Disapproval of the draft	Ignore	Yes
Kenya (KEBS)	Approval as presented	Ignore	Ignore
Korea, Republic of (KATS)	Approval as presented	Ignore	Ignore
Malaysia (DSM)	Abstention	Ignore	Ignore
Netherlands (NEN)	Approval as presented	Ignore	Ignore
Norway (SN)	Approval as presented	Ignore	Ignore
Poland (PKN)	Approval as presented	Ignore	Ignore

Portugal (IPQ)	Abstention	Ignore	Ignore
Russian Federation (GOST R)	Approval as presented	Ignore	Ignore
Singapore (SPRING SG)	Approval as presented	Ignore	Ignore
Slovenia (SIST)	Approval as presented	Ignore	Ignore
South Africa (SABS)	Approval as presented	Ignore	Ignore
Spain (AENOR)	Abstention	Ignore	Ignore
Sweden (SIS)	Abstention	Ignore	Ignore
Switzerland (SNV)	Approval as presented	Ignore	Ignore
United Kingdom (BSI)	Approval with comments	Editorial	Ignore
United States (ANSI)	Approval as presented	Ignore	Ignore

Answers to Q.1: "Do you agree with approval of the CD text?"		
18 x	Approval as presented	Australia (SA) Belgium (NBN) China (SAC) Czech Republic (UNMZ) Denmark (DS) Germany (DIN) Italy (UNI) Kenya (KEBS) Korea, Republic of (KATS) Netherlands (NEN) Norway (SN) Poland (PKN) Russian Federation (GOST R) Singapore (SPRING SG) Slovenia (SIST) South Africa (SABS) Switzerland (SNV) United States (ANSI)
3 x	Approval with comments	Austria (ASI) France (AFNOR) United Kingdom (BSI)
1 x	Disapproval of the draft	Japan (JISC)
9 x	Abstention	Armenia (SARM) Canada (SCC) Finland (SFS) India (BIS) Israel (SII) Malaysia (DSM) Portugal (IPQ) Spain (AENOR) Sweden (SIS)

Answers to Q.2: "If you approve the CD text with comments, would you please indicate which type ? (General, Technical or Editorial)"		
0 x	General	
1 x	Technical	Austria (ASI)
2 x	Editorial	France (AFNOR) United Kingdom (BSI)
0 x	All	
28 x	Ignore	Armenia (SARM) Australia (SA) Belgium (NBN) Canada (SCC) China (SAC) Czech Republic (UNMZ) Denmark (DS) Finland (SFS) Germany (DIN) India (BIS) Israel (SII) Italy (UNI) Japan (JISC) Kenya (KEBS) Korea, Republic of (KATS) Malaysia (DSM) Netherlands (NEN) Norway (SN) Poland (PKN) Portugal (IPQ) Russian Federation (GOST R) Singapore (SPRING SG) Slovenia (SIST) South Africa (SABS) Spain (AENOR) Sweden (SIS) Switzerland (SNV) United States (ANSI)

Answers to Q.3: "If you disapprove the draft, would you please indicate if you accept to change your vote to Approval if the reasons and appropriate changes will be accepted?"		
2 x	Yes	France (AFNOR) Japan (JISC)
0 x	No	
29 x	Ignore	Armenia (SARM) Australia (SA) Austria (ASI) Belgium (NBN) Canada (SCC) China (SAC) Czech Republic (UNMZ) Denmark (DS) Finland (SFS) Germany (DIN) India (BIS) Israel (SII)

Italy (UNI)
 Kenya (KEBS)
 Korea, Republic of (KATS)
 Malaysia (DSM)
 Netherlands (NEN)
 Norway (SN)
 Poland (PKN)
 Portugal (IPQ)
 Russian Federation (GOST R)
 Singapore (SPRING SG)
 Slovenia (SIST)
 South Africa (SABS)
 Spain (AENOR)
 Sweden (SIS)
 Switzerland (SNV)
 United Kingdom (BSI)
 United States (ANSI)

Comments from Voters		
Member:	Comment:	Date:
Austria (ASI)	<i>Comment File</i>	2011-09-13 13:38:38
France (AFNOR)	<i>Comment File</i>	2011-09-13 11:35:47
Japan (JISC)	<i>Comment File</i>	2011-08-25 07:05:19
United Kingdom (BSI)	<i>Comment File</i>	2011-09-16 17:10:23

Comments from Commenters		
Member:	Comment:	Date:
Ukraine (DSSU)	<i>Comment</i>	2011-09-13 14:45:32
abstention		

ISO/IEC JTC 1/SC 17/WG8N1896

Date: 2012-04-20

ISO/IEC 14443-4:2008/DAM 3

ISO/IEC JTC 1/SC 17/WG 8

Secretariat: DIN

Identification cards — Contactless integrated circuit cards - Proximity cards — Part 4: Transmission protocol

Cartes d'identification — Cartes à circuit intégré - Cartes de proximité — Partie 4: Protocole de transmission

AMENDMENT 3

Bit rates of $3fc/4$, fc , $3fc/2$ and $2fc$

AMENDEMENT 3

Débits binaires de $3fc/4$, fc , $3fc/4$ et $2fc$

Warning

This document is not an ISO International Standard. It is distributed for review and comment. It is subject to change without notice and may not be referred to as an International Standard.

Recipients of this draft are invited to submit, with their comments, notification of any relevant patent rights of which they are aware and to provide supporting documentation.

Document type: International Standard

Document subtype: Amendment

Document stage: (40) Enquiry

Document language: E

STD Version 2.1c2

Copyright notice

This ISO document is a Draft International Standard and is copyright-protected by ISO. Except as permitted under the applicable laws of the user's country, neither this ISO draft nor any extract from it may be reproduced, stored in a retrieval system or transmitted in any form or by any means, electronic, photocopying, recording or otherwise, without prior written permission being secured.

Requests for permission to reproduce should be addressed to either ISO at the address below or ISO's member body in the country of the requester.

ISO copyright office
Case postale 56 • CH-1211 Geneva 20
Tel. + 41 22 749 01 11
Fax + 41 22 749 09 47
E-mail copyright@iso.org
Web www.iso.org

Reproduction may be subject to royalty payments or a licensing agreement.

Violators may be prosecuted.

Foreword

ISO (the International Organization for Standardization) and IEC (the International Electrotechnical Commission) form the specialized system for worldwide standardization. National bodies that are members of ISO or IEC participate in the development of International Standards through technical committees established by the respective organization to deal with particular fields of technical activity. ISO and IEC technical committees collaborate in fields of mutual interest. Other international organizations, governmental and non-governmental, in liaison with ISO and IEC, also take part in the work. In the field of information technology, ISO and IEC have established a joint technical committee, ISO/IEC JTC 1.

International Standards are drafted in accordance with the rules given in the ISO/IEC Directives, Part 2.

The main task of the joint technical committee is to prepare International Standards. Draft International Standards adopted by the joint technical committee are circulated to national bodies for voting. Publication as an International Standard requires approval by at least 75 % of the national bodies casting a vote.

Attention is drawn to the possibility that some of the elements of this document may be the subject of patent rights. ISO and IEC shall not be held responsible for identifying any or all such patent rights.

Amendment 3 to ISO/IEC 14443-4:2008 was prepared by Joint Technical Committee ISO/IEC JTC 1, *Information technology*, Subcommittee SC 17, *Card and personal identification*.

Identification cards — Contactless integrated circuit cards - Proximity cards — Part 4: Transmission protocol

Amendment 3: Bit rates of $3fc/4$, fc , $3fc/2$ and $2fc$

Clause 9 of of ISO/IEC 14443-4/FPDAM2

Add the following below Figure 24:

"For bit rates of $3fc/4$, fc , $3fc/2$ and $2fc$ see Annex D."

After Annex C

Add the following annex D:

"

Annex D (normative)

Amended requirements for bit rates of $3fc/4$, fc , $3fc/2$ and $2fc$ for PCD to PICC communication

D.1 Function tags identifier definition

The information field shall contain tags and values as defined in Table D.1.

Table D.1 — Function tags identifier definition

Tag (Hex)	Description	Length (Hex)	Value		
'A1'	Bit rates Request	'0'			
'A2'	Bit rates Indication	L	Tag (Hex)	Length (Hex)	Value
			'80'	'02'	supported bit rates from PCD to PICC 1 st byte is specified in Figure 23 2 nd byte is specified in Figure D.1
			'81'	'02'	supported bit rates from PICC to PCD 1 st byte is specified in Figure 23 2 nd byte set to '00', other values are RFU
			'82'	'01'	supported framing options PICC to PCD (see Figure 24)
'A3'	Bit rates Activation	L	Tag (Hex)	Length (Hex)	Value
			'83'	'02'	selected bit rate from PCD to PICC ^a 1 st byte is specified in Figure 23 2 nd byte is specified in Figure D.1
			'84'	'02'	selected bit rate from PICC to PCD ^a 1 st byte is specified in Figure 23 2 nd byte set to '00', other values are RFU
			'85'	'01'	selected framing options PICC to PCD (see Figure 24)
'A4'	Bit rates Acknowledgement	'0'			

^a The PCD shall set only one bit. The PCD shall not activate simultaneously a bit rate higher than $fc/16$ for PCD to PICC communication and a bit rate of $fc/128$ for PICC to PCD communication in Type A.

D.2 2nd byte: Coding of bit rates

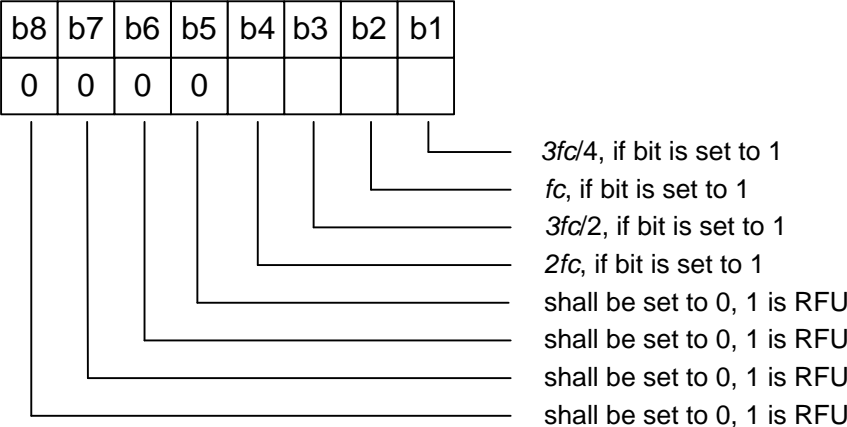


Figure A.1 — 2nd byte: Coding of bit rates

"